

Application

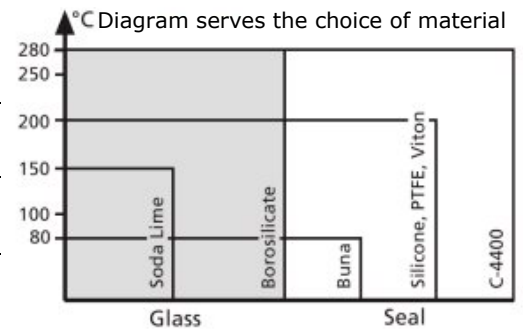
For observation and lightning the inside of pressure vessels, boilers, tanks, etc.

Operating Conditions

Working pressure: maximal 25 Bar
Working temperature: maximal 280°C

Materials

Base- and Cover flange	RSt 37-2, H II, C 22.8, 1.4541, 1.4571 other materials on request
Glass	Borosilicate glass acc. to DIN 7080 Soda Lime glass acc. to DIN 8902
Gaskets	Klingsil C-4400 other materials on request
Screws & Nuts	Steel 5.6 gal., A2-70, A4-70

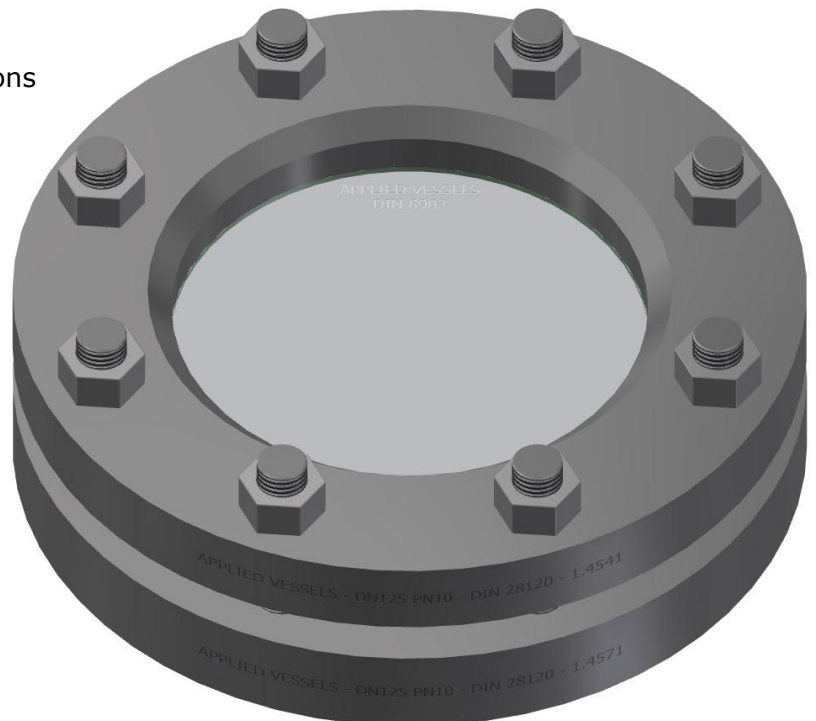
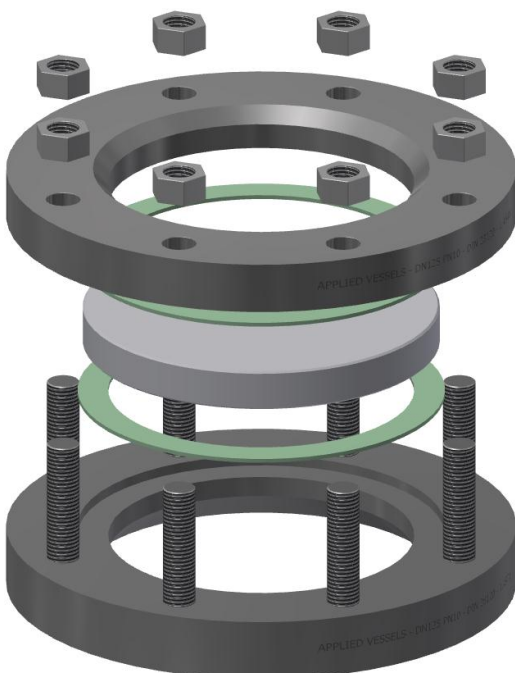


Options

- Sight glass wiper
- Spray washer
- Double glass with heating element
- Light Fittings
- Sealing for vacuum
- Special design acc. to customer specifications

Certificate (optional)

- Acc. to EN 10204-2.2
- Acc. to EN 10204-3.1



Contact

For more information please contact us.

✉ info@appliedvessels.com

☎ +31 (0)345 476 627

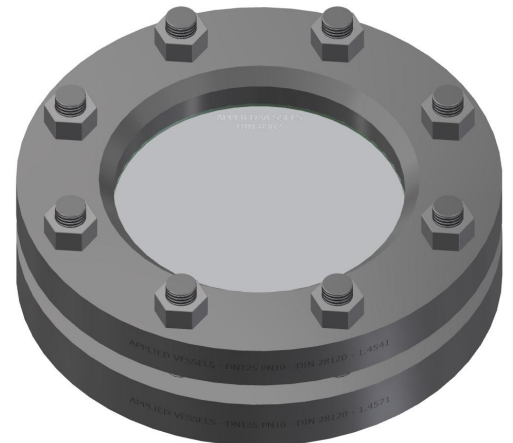
Dimensions according to DIN-28120

DN	PN	D	h ₁	h ₂	d ₁	Glass		k	Bolting
						d ₃	s		
25	10	115	16	25	48	63	10	85	4 x M12
	16								
40	10	150	16	30	65	80	12	110	4 x M16
	16								
50	2,5	150	12	24	80	100	10	125	4 x M12
	6	165	16	30			15		4 x M16
	10								
	16								
80	2,5	175	14	24	100	125	15	150	4 x M12
	6	200	18	30			20	160	8 x M16
	10								
	16								
100	2,5	200	14	24	125	150	15	175	4 x M12
	6	220	18	30			20	180	8 x M16
	10								
	16								
125	2,5	220	16	24	150	175	15	195	8 x M12
	6	250	18	30			20	210	8 x M16
	10								
	16								
150	2,5	250	16	24	175	200	15	220	8 x M12
	6	285	18	36			20	240	8 x M20
	10								
	16								
200	2,5	300	16	24	225	250	19	275	8 x M12
	6	340	20	36			25	295	8 x M20
	10								

PN25 & other dimensions are available on request



DN25 - PN10/16



DN125 - PN10

